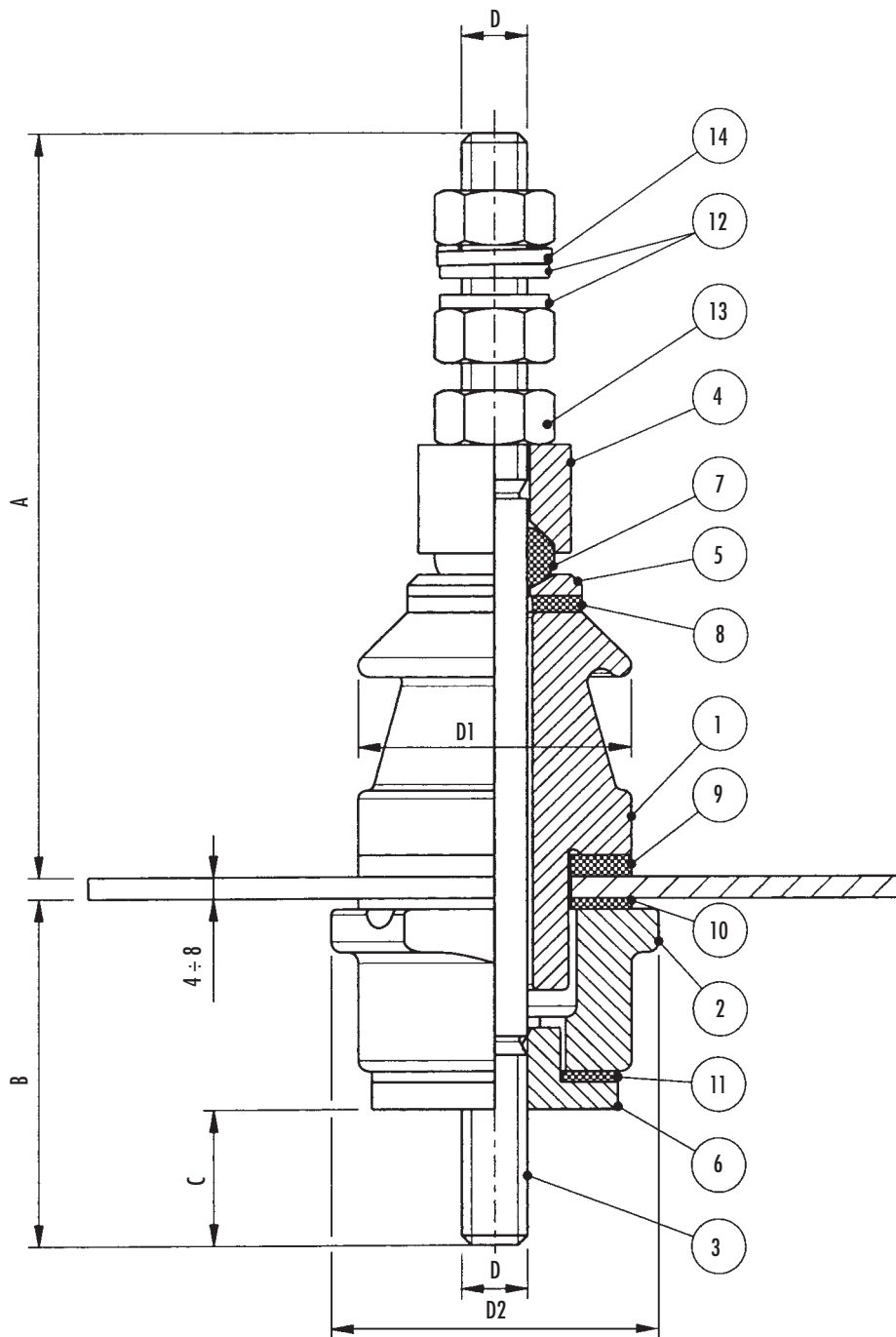




A₁**1 ÷ 3 kV****DIN 42530-68
DIN 42539-68****250 A ÷ 630 A**

TYPE	A (Max)	B	C	D	D1	D2	Tank Hole	Weight
1 kV / 250 A	138	68	25	M12	Ø 50	Ø 60	Ø 28	0.7 kg
3 kV / 250 A	180	94	25	M12	Ø 75	Ø 70	Ø 39	1.3 kg
1 kV / 630 A	178	82	37	M20	Ø 70	Ø 85	Ø 45	2.0 kg
3 kV / 630 A	210	110	37	M20	Ø 90	Ø 85	Ø 45	2.5 kg

DIN 42530-68
DIN 42539-68

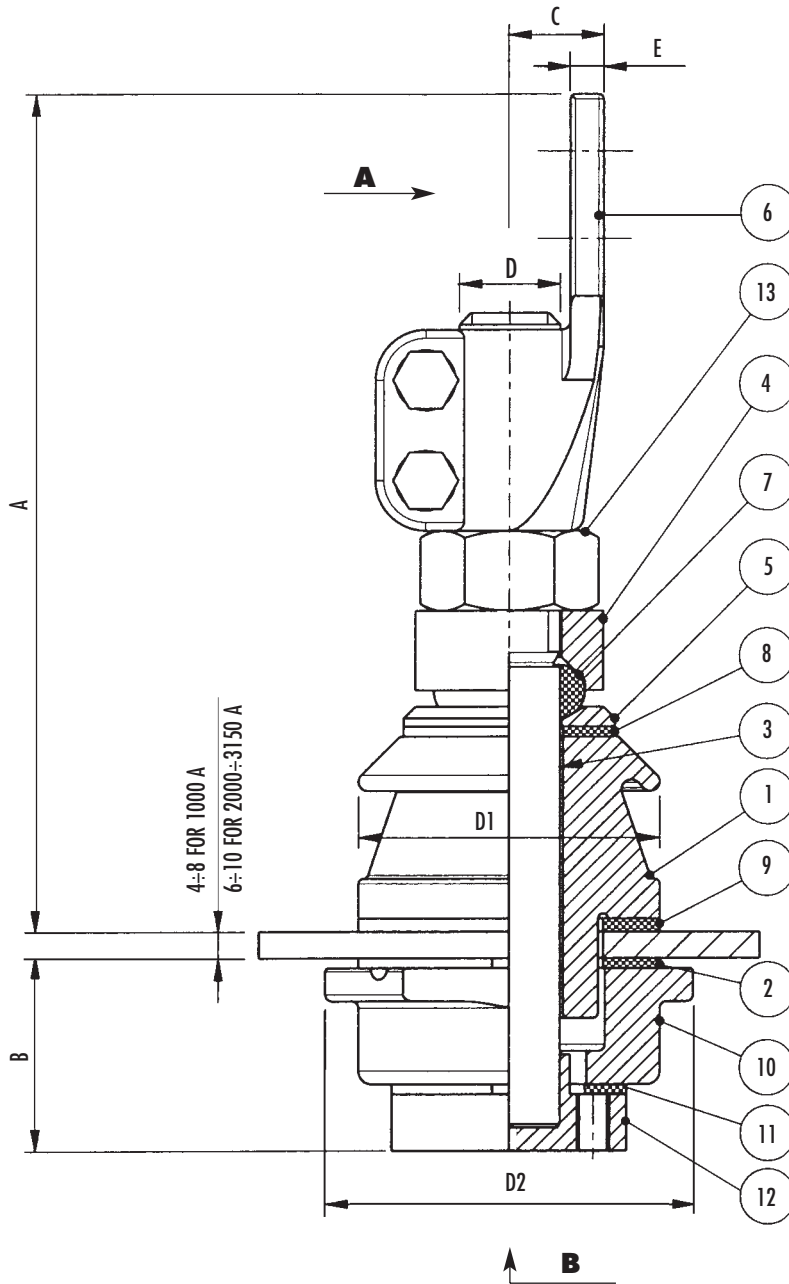
1 ÷ 3 kV

A₁

250 A ÷ 630 A

ITEM	DESCRIPTION	Q.TY
1	UPPER PORCELAIN	1
2	LOWER PORCELAIN	1
3	BOLT	1
4	UPPER WASHER	1
5	MIDDLE WASHER	1
6	LOWER WASHER	1
7	GASKET	1
8	GASKET	1
9	GASKET	1
10	GASKET	1
11	GASKET	1
12	WASHER DIN 125 A	2
13	FULL NUT	3
14	WASHER DIN 127 B	1

IDENTIFICATION			VOLTAGE TIGHTNESS					
ACCORDING TO STANDARD	RATED VOLTAGE (kV)	RATED CURRENT (A)	LIGHTING IMPULSE (kV)	POWER FREQUENCY (kV)		CREEPAGE DISTANCE MIN. (mm)	ARCING DISTANCE MIN. (mm)	LEE PROTECTED LINE MIN. (mm)
				DRY	WET			
DIN 42530-68	1	250	—	—	—	60	50	10
DIN 42539-68	3	250	40	14	10	120	100	16
DIN 42530-68	1	630	—	—	—	75	60	10
DIN 42539-68	3	630	40	14	10	120	100	16



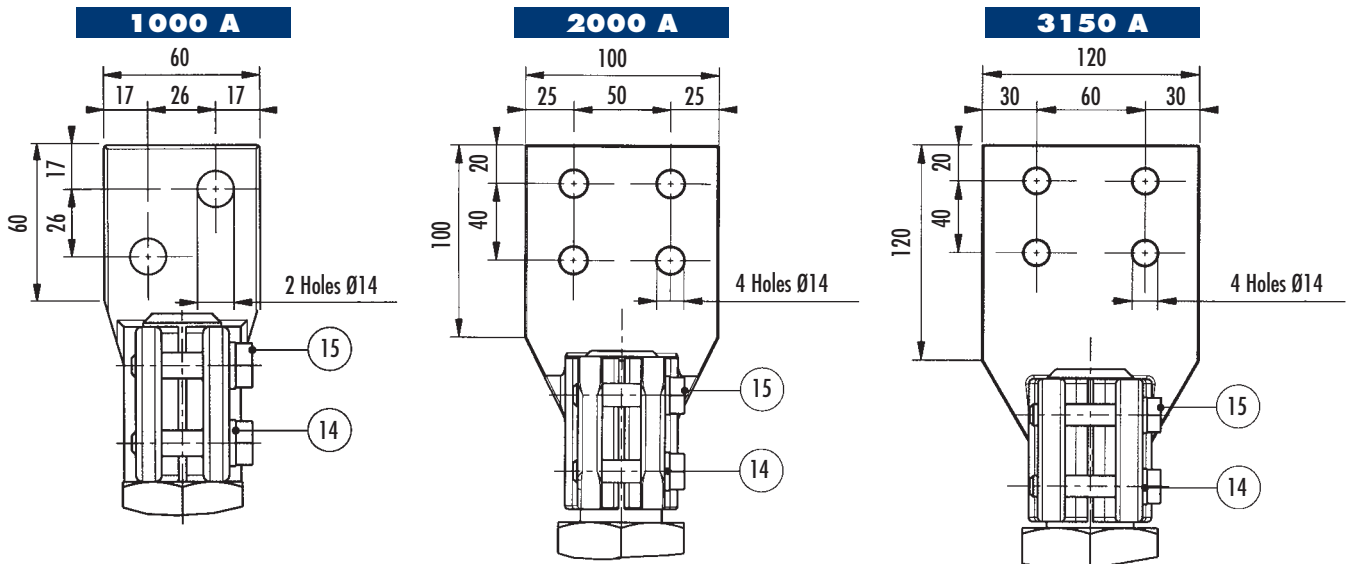
TYPE	A (Max)	B	C	D	D1	D2	E	Tank Hole	Weight
1 kV/1000 A	263	60	28	M30x2	∅ 90	∅ 110	10	∅ 56	4.9 kg
3 kV/1000 A	294	80	28	M30x2	∅ 110	∅ 110	10	∅ 56	5.8 kg
1 kV/2000 A	340	65	40	M42x3	∅ 104	∅ 125	15	∅ 70	11.7 kg
3 kV/2000 A	372	86	40	M42x3	∅ 125	∅ 125	15	∅ 70	13.0 kg
1 kV/3150 A	372	70	45	M48x3	∅ 125	∅ 150	15	∅ 90	15.8 kg
3 kV/3150 A	404	92	45	M48x3	∅ 145	∅ 150	15	∅ 90	17.5 kg

1000 A ÷ 3150 A

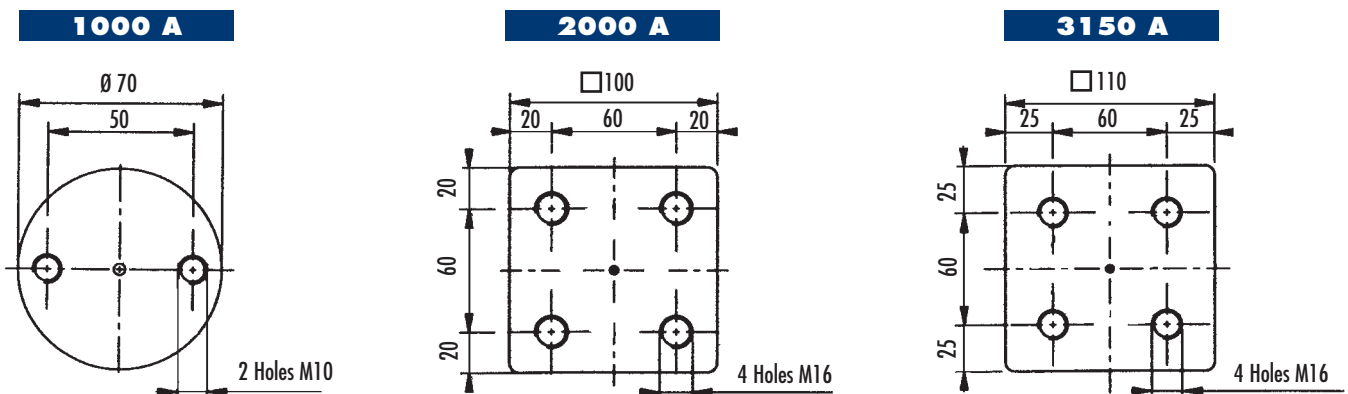
ITEM	DESCRIPTION	Q.TY
1	UPPER PORCELAIN	1
2	GASKET	1
3	BOLT	1
4	UPPER WASHER	1
5	MIDDLE WASHER	1
6	FLAG DIN 43675	1
7	GASKET	1
8	GASKET	1
9	GASKET	1
10	LOWER PORCELAIN	1
11	GASKET	1
12	LOWER WASHER	1
13	FULL NUT	1
14	WASHER DIN 125 A	2
15	SCREW DIN 933	2

IDENTIFICATION			VOLTAGE TIGHTNESS					
ACCORDING TO STANDARD	RATED VOLTAGE (kV)	RATED CURRENT (A)	LIGHTING IMPULSE (kV)	POWER FREQUENCY (kV)		CREPAGE DISTANCE MIN. (mm)	ARCING DISTANCE MIN. (mm)	LEE PROTECTED LINE MIN. (mm)
				DRY	WET			
DIN 42530-68	1	1000	—	—	—	75	60	10
DIN 42539-68	3	1000	40	14	10	125	100	16
DIN 42530-68	1	2000	—	—	—	75	60	10
DIN 42539-68	3	2000	40	14	10	125	100	18
DIN 42530-68	1	3150	—	—	—	75	60	10
DIN 42539-68	3	3150	40	14	10	125	100	18

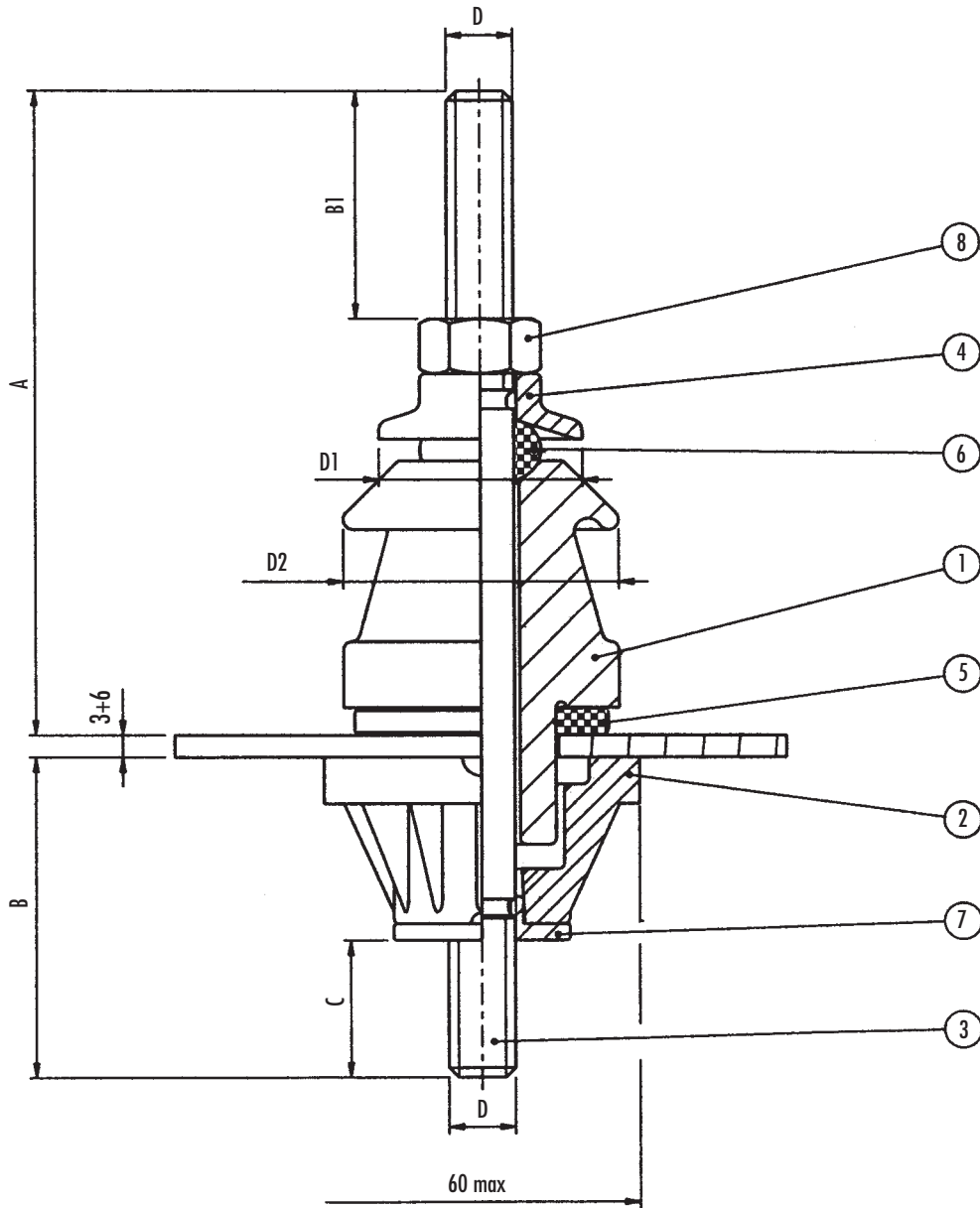
A VIEW



B VIEW



250 A Solution "A"



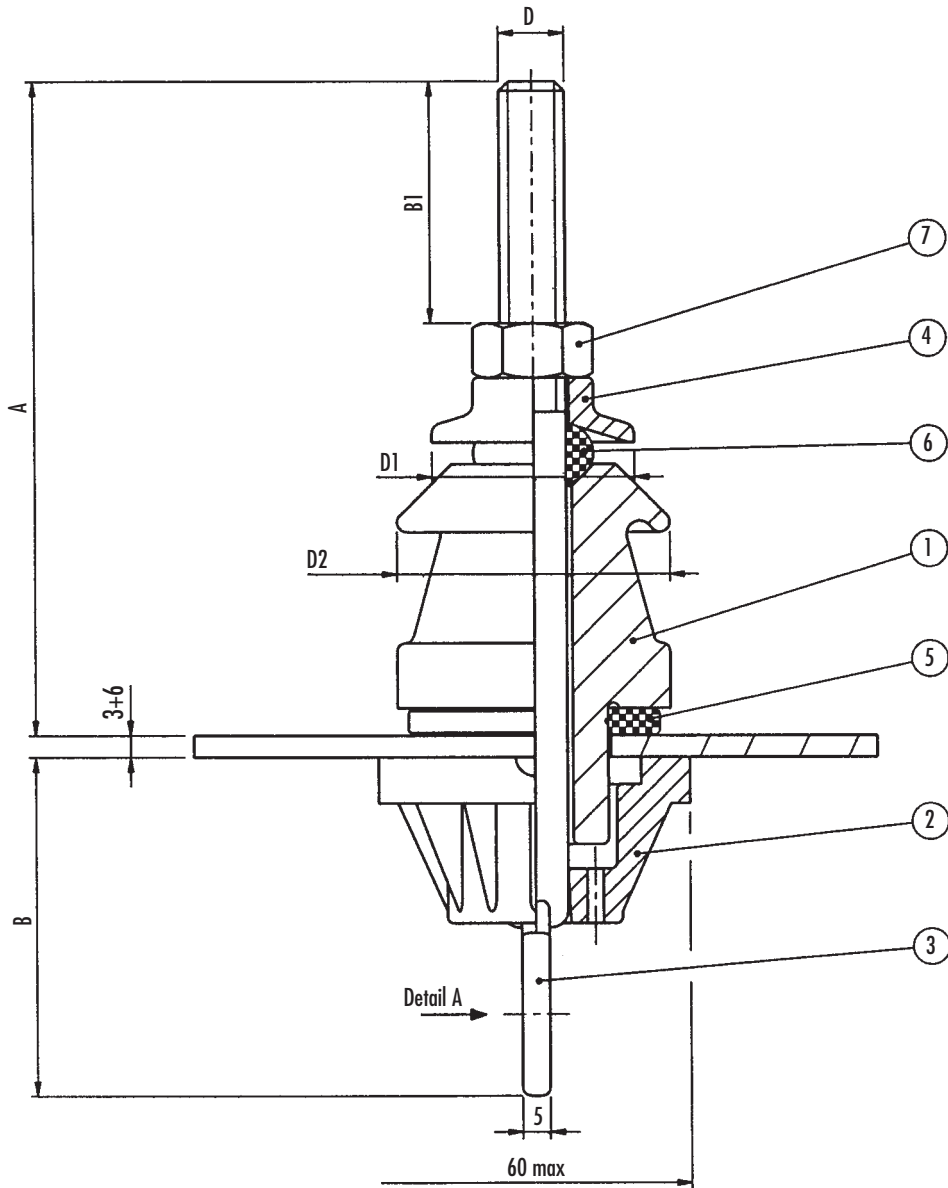
TYPE	A	B(Max)	B1(Min)	C	D	D1	D2(Max)	Tank Hole	Weight
1 kV/250 A	~118	58	40	25	M12	Ø 37	Ø 56	Ø 28	0.42 kg

250 A Solution "A"

ITEM	DESCRIPTION	Q.TY
1	CERAMIC BODY	1
2	INSULATION BODY	1
3	BOLT	1
4	UPPER WASHER	1
5	GASKET	1
6	GASKET	1
7	LOWER WASHER	1
8	FULL NUT	1

IDENTIFICATION			VOLTAGE TIGHTNESS					
ACCORDING TO STANDARD	RATED VOLTAGE (kV)	RATED CURRENT (A)	LIGHTING IMPULSE (kV)	POWER FREQUENCY (kV)		CREEPAGE DISTANCE MIN. (mm)	ARCING DISTANCE MIN. (mm)	LEE PROTECTED LINE MIN. (mm)
				DRY	WET			
EN 50386	1	250	20	10	10	55	-	-

250 A Solution "B"



TYPE	A	B(Max)	B1(Min)	D	D1	D2(Max)	Tank Hole	Weight
1 kV/250 A	~121	62	40	M12	Ø 37	Ø 56	Ø 28	0.43 kg

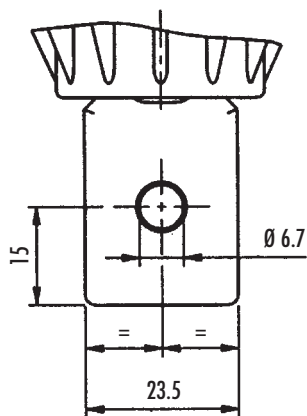
250 A Solution "B"

ITEM	DESCRIPTION	Q.TY
1	CERAMIC BODY	1
2	INSULATION BODY	1
3	BOLT "AP" TYPE	1
4	UPPER WASHER	1
5	GASKET	1
6	GASKET	1
7	FULL NUT	1

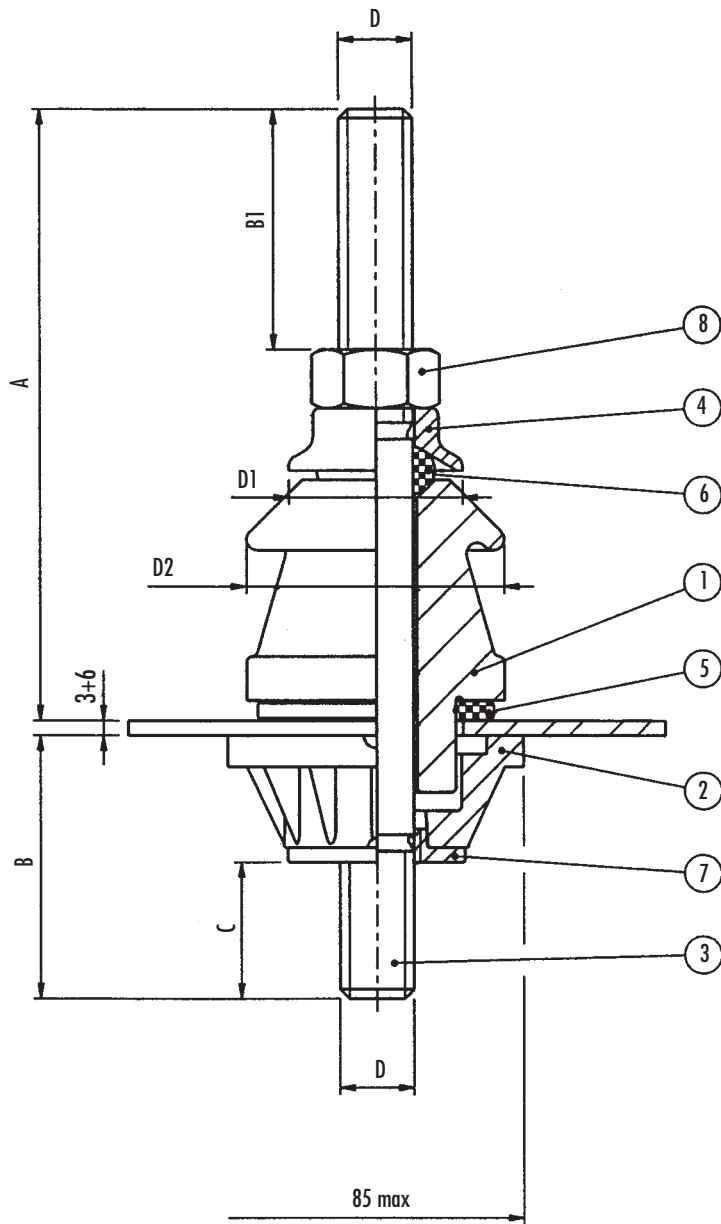
IDENTIFICATION			VOLTAGE TIGHTNESS					
ACCORDING TO STANDARD	RATED VOLTAGE (kV)	RATED CURRENT (A)	LIGHTING IMPULSE (kV)	POWER FREQUENCY (kV)		CREEPAGE DISTANCE MIN. (mm)	ARCING DISTANCE MIN. (mm)	LEE PROTECTED LINE MIN. (mm)
				DRY	WET			
EN 50386	1	250	20	10	10	55	-	-

DETAIL A

1250 A



630 A Solution "A"



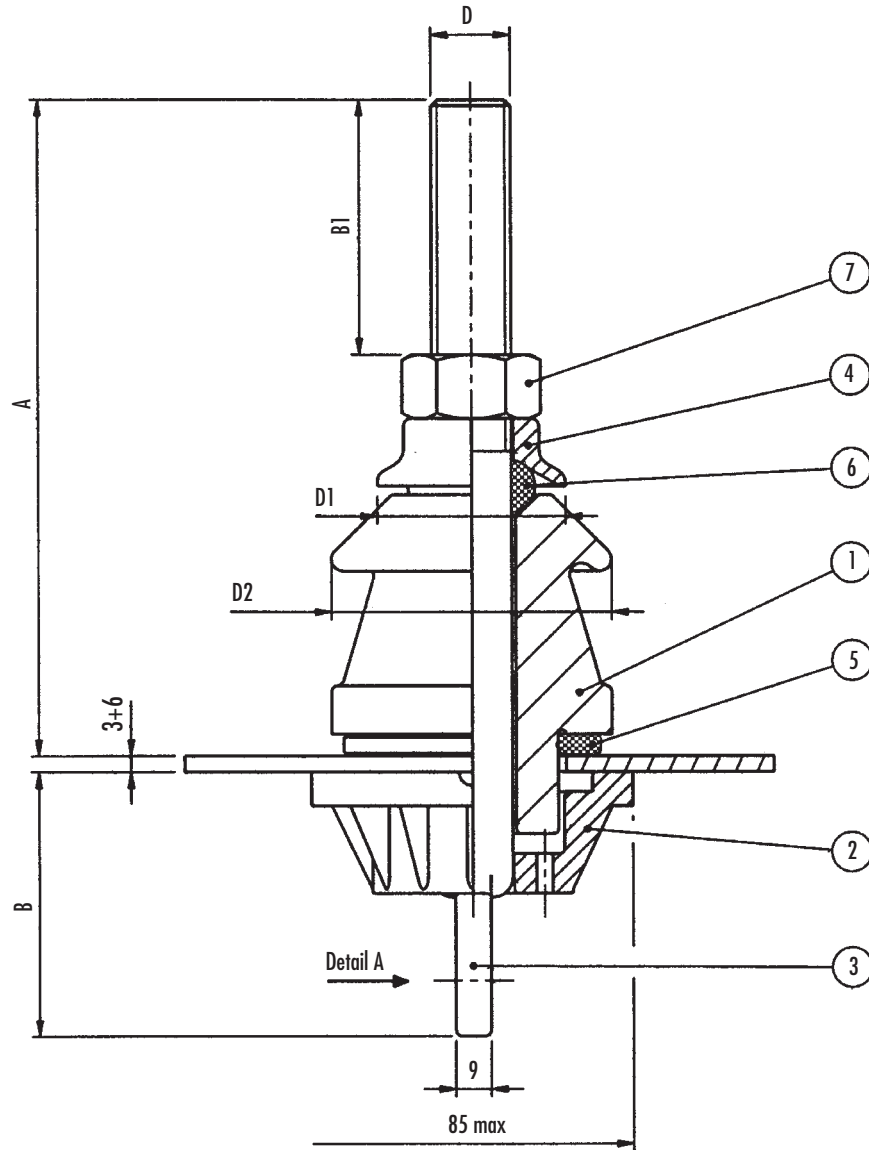
TYPE	A	B(Max)	B1(Min)	C	D	D1	D2(Max)	Tank Hole	Weight
1 kV/630 A	~167	71	65	37	M20	Ø 47	Ø 70	Ø 45	1.22 kg

630 A Solution "A"

ITEM	DESCRIPTION	Q.TY
1	CERAMIC BODY	1
2	INSULATION BODY	1
3	BOLT	1
4	UPPER WASHER	1
5	GASKET	1
6	GASKET	1
7	LOWER WASHER	1
8	FULL NUT	1

IDENTIFICATION			VOLTAGE TIGHTNESS					
ACCORDING TO STANDARD	RATED VOLTAGE (kV)	RATED CURRENT (A)	LIGHTING IMPULSE (kV)	POWER FREQUENCY (kV)		CREEPAGE DISTANCE MIN. (mm)	ARCING DISTANCE MIN. (mm)	LEE PROTECTED LINE MIN. (mm)
				DRY	WET			
EN 50386	1	630	20	10	10	70	-	-

630 A Solution "B"



TYPE	A	B(Max)	B1(Min)	D	D1	D2(Max)	Tank Hole	Weight
1 kV/630 A	~165	66	65	M20	Ø 47	Ø 70	Ø 45	1.16 kg

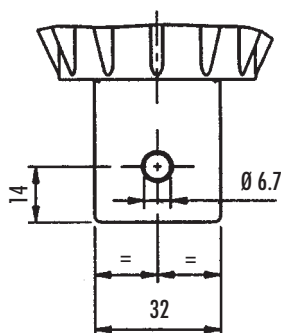
630 A Solution "B"

ITEM	DESCRIPTION	Q.TY
1	CERAMIC BODY	1
2	INSULATION BODY	1
3	BOLT "AP" TYPE	1
4	UPPER WASHER	1
5	GASKET	1
6	GASKET	1
7	FULL NUT	1

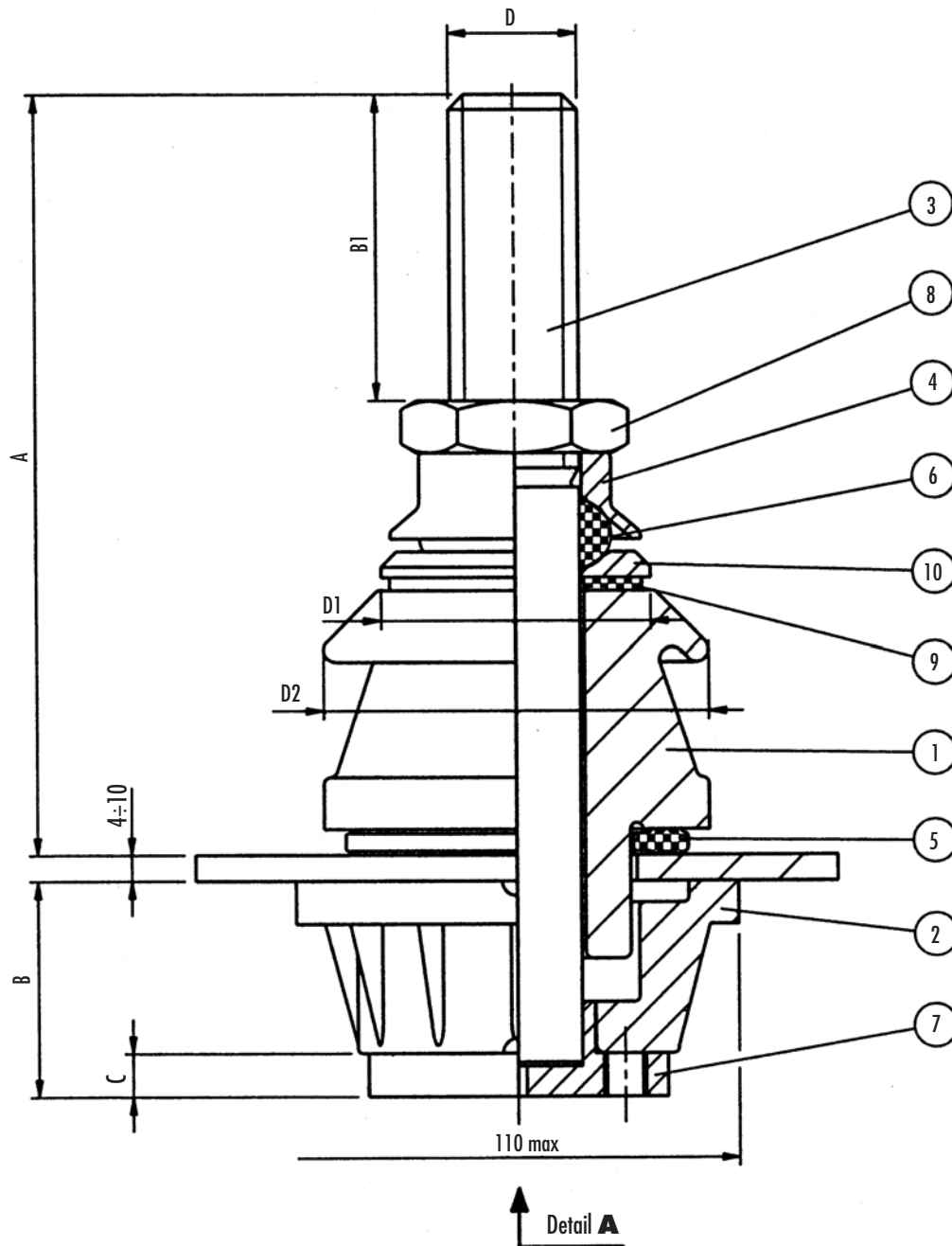
IDENTIFICATION			VOLTAGE TIGHTNESS					
ACCORDING TO STANDARD	RATED VOLTAGE (kV)	RATED CURRENT (A)	LIGHTING IMPULSE (kV)	POWER FREQUENCY (kV)		CREEPAGE DISTANCE MIN. (mm)	ARCING DISTANCE MIN. (mm)	LEE PROTECTED LINE MIN. (mm)
				DRY	WET			
EN 50386	1	630	20	10	10	70	-	-

DETAIL A

630 A



1250 A Solution "A"



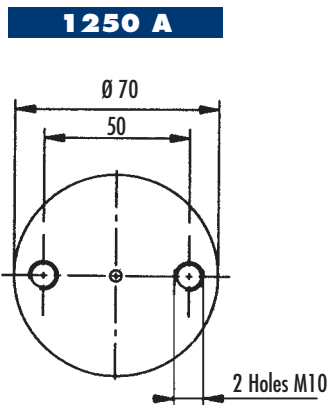
TYPE	A	B(Max)	B1(Min)	C	D	D1	D2(Max)	Tank Hole	Weight
1 kV/1250 A	~176	50	70	10	M30x2	Ø 63	Ø 90	Ø 56	2.81 kg

1250 A Solution "A"

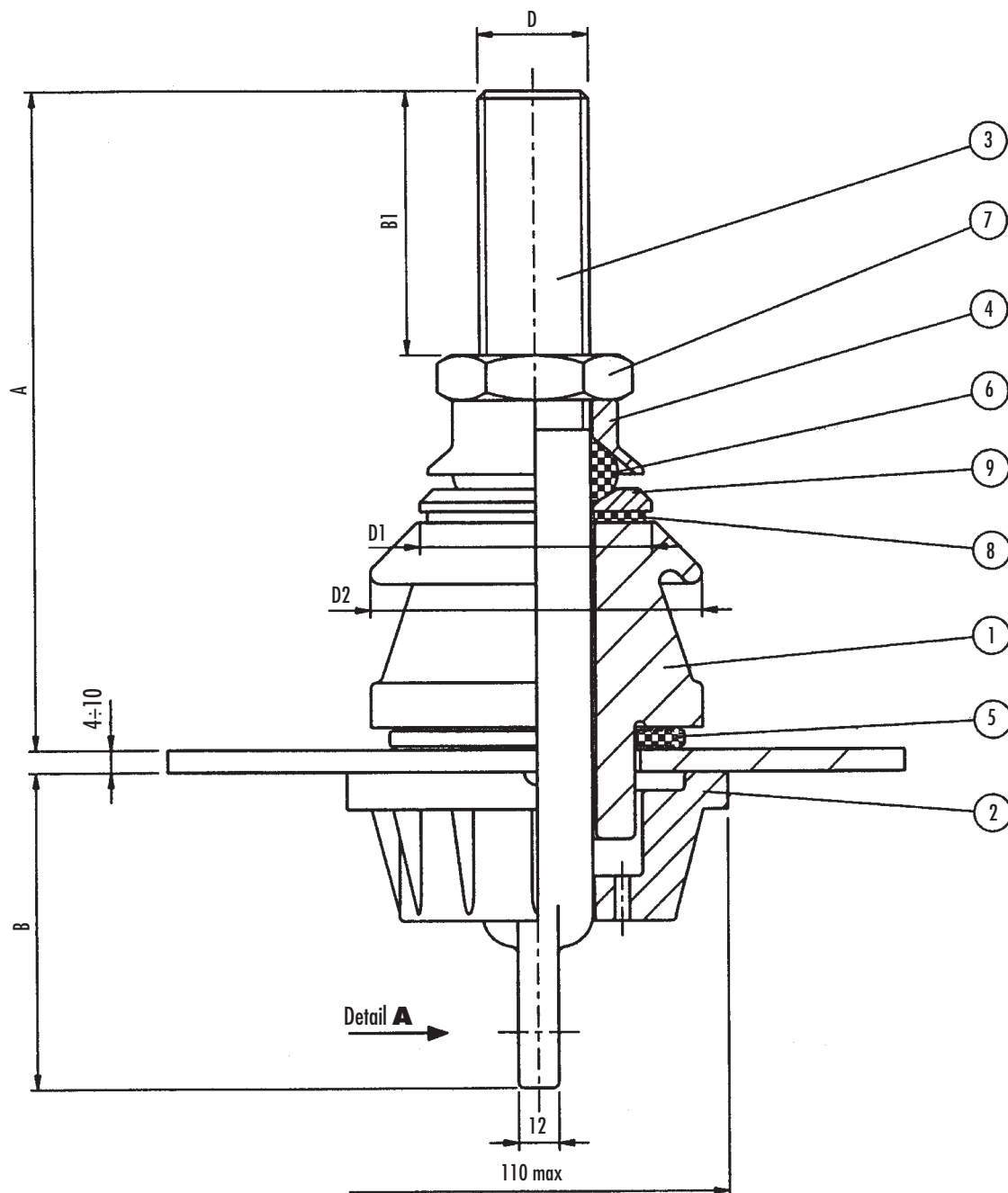
ITEM	DESCRIPTION	Q.TY
1	CERAMIC BODY	1
2	INSULATION BODY	1
3	BOLT	1
4	UPPER WASHER	1
5	GASKET	1
6	GASKET	1
7	LOWER WASHER	1
8	HALF NUT	1
9	GASKET	1
10	MIDDLE WASHER	1

IDENTIFICATION			VOLTAGE TIGHTNESS					
ACCORDING TO STANDARD	RATED VOLTAGE (kV)	RATED CURRENT (A)	LIGHTING IMPULSE (kV)	POWER FREQUENCY (kV)		CREEPAGE DISTANCE MIN. (mm)	ARCING DISTANCE MIN. (mm)	LEE PROTECTED LINE MIN. (mm)
				DRY	WET			
EN 50386	1	1250	20	10	10	75	-	-

DETAIL A



1000 A ÷ 1250 A Solution "B"



TYPE	POS. 3 (MATERIAL)	A	B(Max)	B1(Min)	D	D1	D2(Max)	Tank Hole	Weight
1 kV/1000 A	BRASS	177	85	70	M30x2	Ø 63	Ø 90	Ø 56	2.67 kg
1 kV/1250 A	COPPER	177	85	70	M30x2	Ø 63	Ø 90	Ø 56	2.73 kg

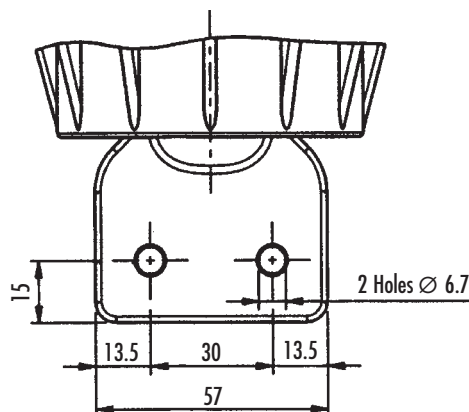
1000 A ÷ 1250 A Solution "B"

ITEM	DESCRIPTION	Q.TY
1	CERAMIC BODY	1
2	INSULATION BODY	1
3	BOLT "AP" TYPE	1
4	UPPER WASHER	1
5	GASKET	1
6	GASKET	1
7	HALF NUT	1
8	GASKET	1
9	MIDDLE WASHER	1

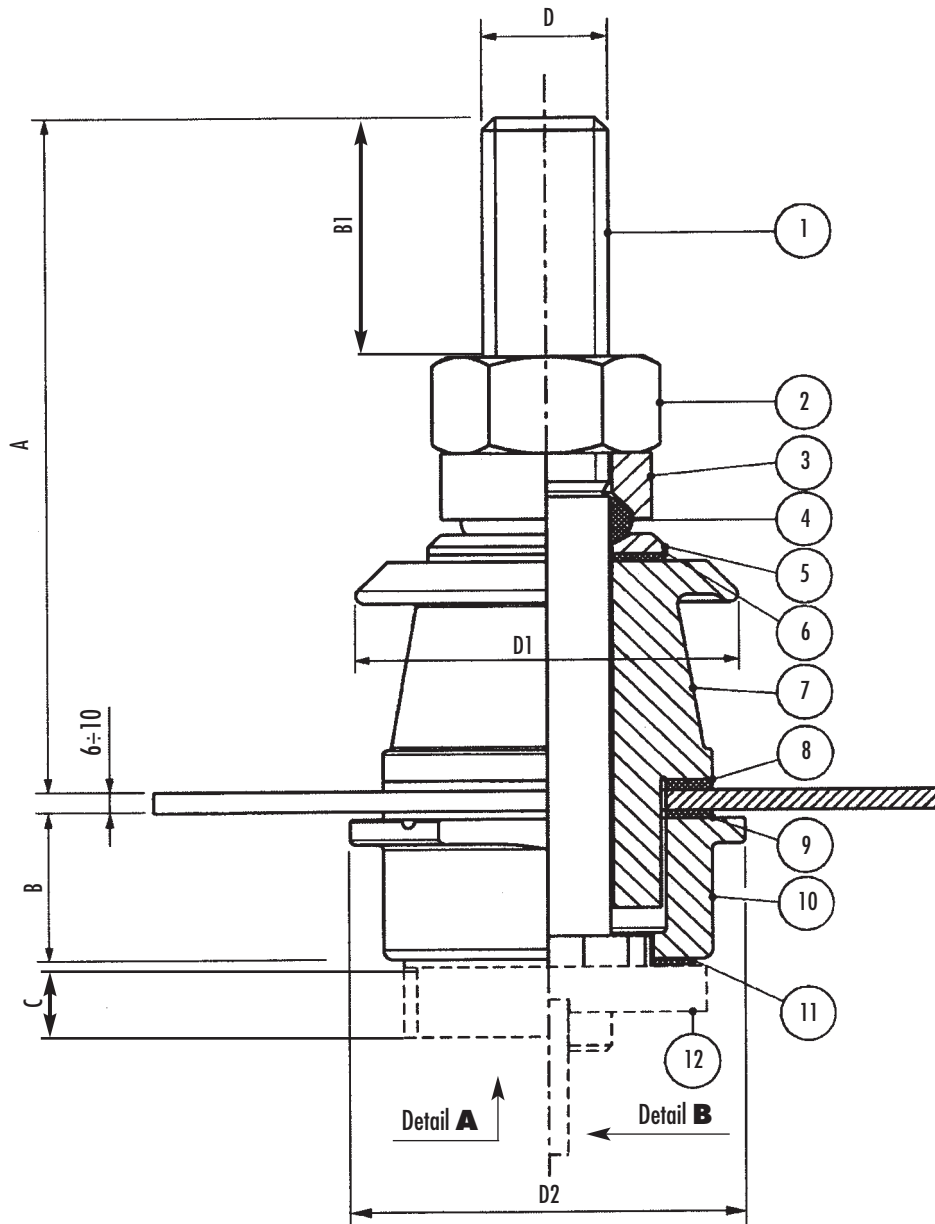
IDENTIFICATION			VOLTAGE TIGHTNESS					
ACCORDING TO STANDARD	RATED VOLTAGE (kV)	RATED CURRENT (A)	LIGHTING IMPULSE (kV)	POWER FREQUENCY (kV)		CREEPAGE DISTANCE MIN. (mm)	ARCING DISTANCE MIN. (mm)	LEE PROTECTED LINE MIN. (mm)
				DRY	WET			
EN 50386	1	1000	20	10	10	75	-	-
EN 50386	1	1250	20	10	10	75	-	-

DETAIL A

1000 A ÷ 1250 A



2000 A ÷ 5000 A



TYPE	A	B(Min)	B1(Min)	C	D	D1(Max)	D2(Max)	Tank Hole	Weight
1 kV/2000 A	~ 240	35	90	15	M42x3	Ø 104	Ø 125	Ø 70	6.24 kg
1 kV/3150 A	~ 250	35	90	15	M48x3	Ø 125	Ø 150	Ø 90	8.45 kg
1 kV/4000 A	~ 300	40	110	24	M55x3	Ø 180	Ø 180	Ø 118	16.60 kg
1 kV/5000 A	~ 310	40	110	24	M64x3 or Ø58	Ø 180	Ø 180	Ø 118	18.95 kg

2000 A ÷ 5000 A

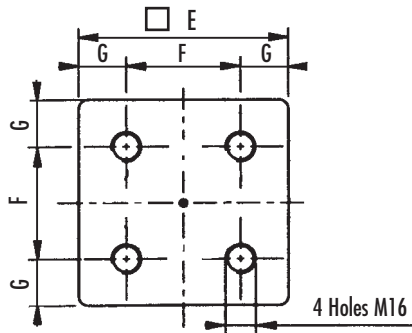
ITEM	DESCRIPTION	Q.TY
1	BOLT	1
2	HALF NUT	1
3	UPPER WASHER	1
4	GASKET	1
5	MIDDLE WASHER	1
6	GASKET	1
7	CERAMIC BODY	1
8	GASKET	1
9	GASKET	1
10	INSULATION BODY*	1
11	GASKET	1
12	LOWER WASHER	1

*IF POLIMERIC ITEMS 9 AND 11 ARE NOT SUPPLIED.

IDENTIFICATION			VOLTAGE TIGHTNESS					
ACCORDING TO STANDARD	RATED VOLTAGE (kV)	RATED CURRENT (A)	LIGHTING IMPULSE (kV)	POWER FREQUENCY (kV)		CREEPAGE DISTANCE MIN. (mm)	ARCING DISTANCE MIN. (mm)	LEE PROTECTED LINE MIN. (mm)
				DRY	WET			
EN 50386	1	2000	20	10	10	75	—	—
EN 50386	1	3150	20	10	10	75	—	—
EN 50386	1	4000	20	10	10	85	—	—
EN 50386	1	5000	20	10	10	85	—	—

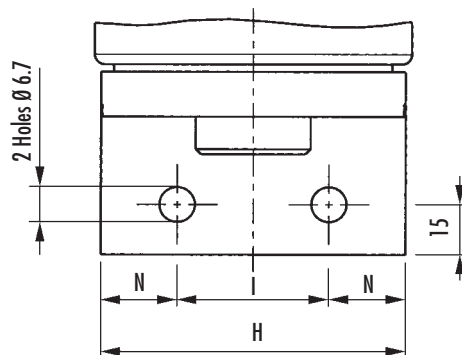
DETAIL A

2000 A ÷ 5000 A



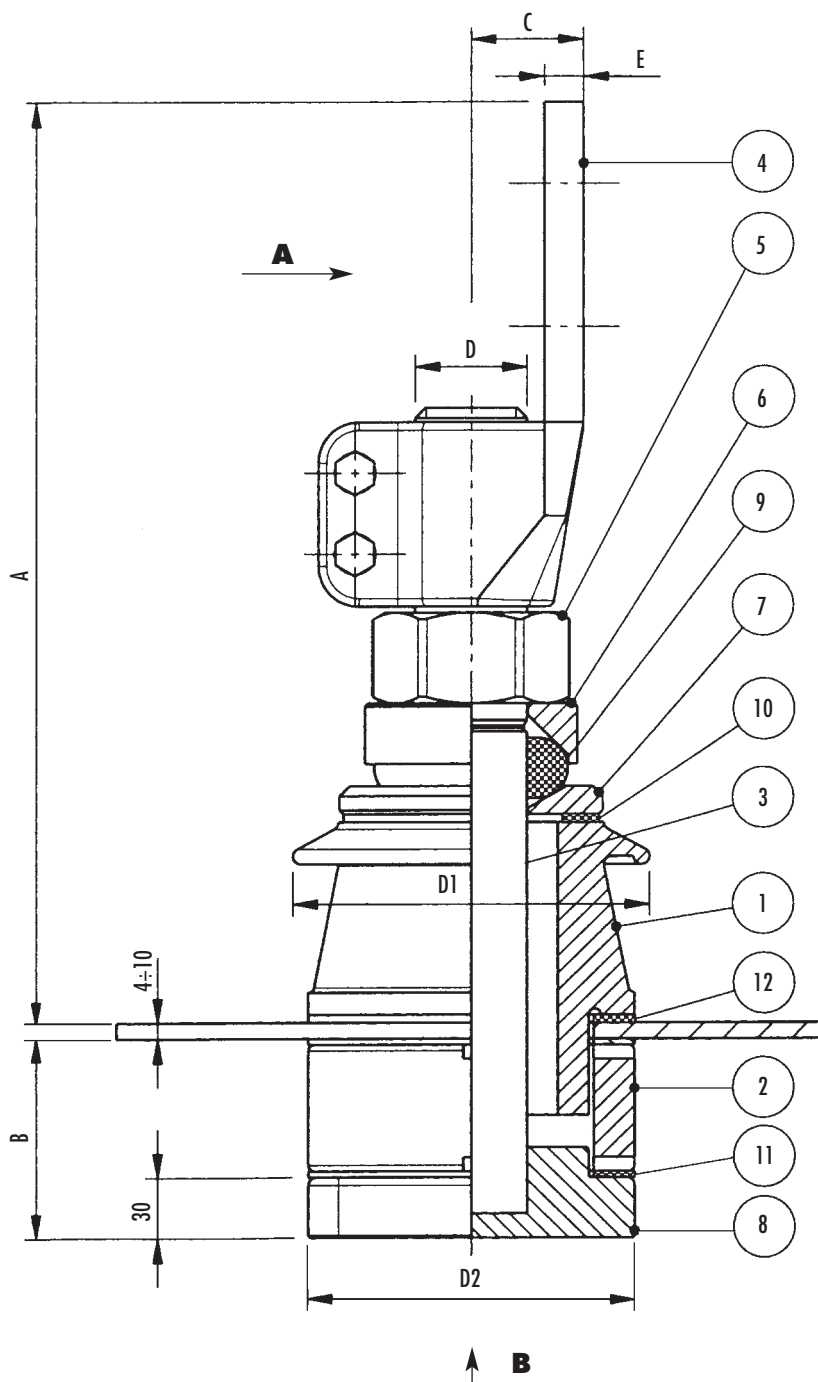
In	E	F	G
2000 A	100	60	20
3150 A	110	60	25
4000 A	160	100	30
5000 A	160	100	30

DETAIL B



In	H	I	N
2000 A	80	50	15
3150 A	120	60	30

4500 A



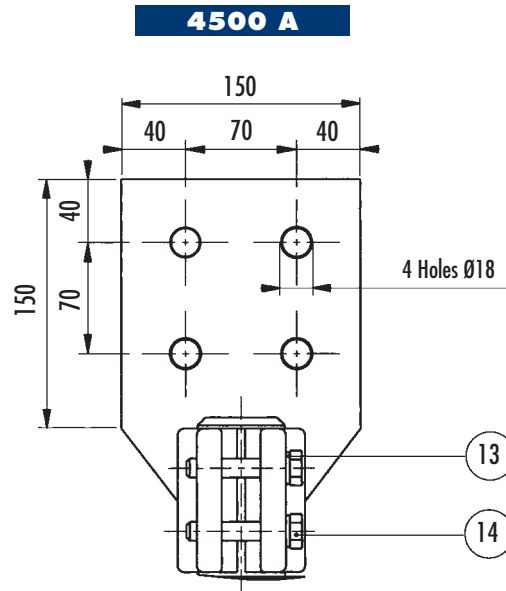
TYPE	A (Max)	B	C	D	D1	D2	E	Tank Hole	Weight
3 kV/4500 A	453	107	55	M55x3	Ø 175	Ø 160	20	Ø 119	29.8 kg

4500 A

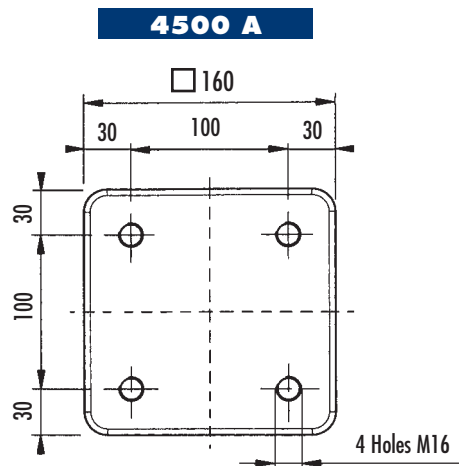
ITEM	DESCRIPTION	Q.TY
1	UPPER PORCELAIN	1
2	LOWER PORCELAIN	1
3	BOLT	1
4	FLAG TYPE 4500 A	1
5	FULL NUT	1
6	UPPER WASHER	1
7	MIDDLE WASHER	1
8	LOWER WASHER	1
9	GASKET	1
10	GASKET	1
11	GASKET	2
12	GASKET	1
13	WASHER DIN 125 A	2
14	SCREW DIN 933	2

IDENTIFICATION			VOLTAGE TIGHTNESS					
COMEM DESIGN	RATED VOLTAGE (kV)	RATED CURRENT (A)	LIGHTING IMPULSE (kV)	POWER FREQUENCY (kV)		CREEPAGE DISTANCE MIN. (mm)	ARCING DISTANCE MIN. (mm)	LEE PROTECTED LINE MIN. (mm)
				DRY	WET			
3/4500	3	4500	40	14	10	140	107	20

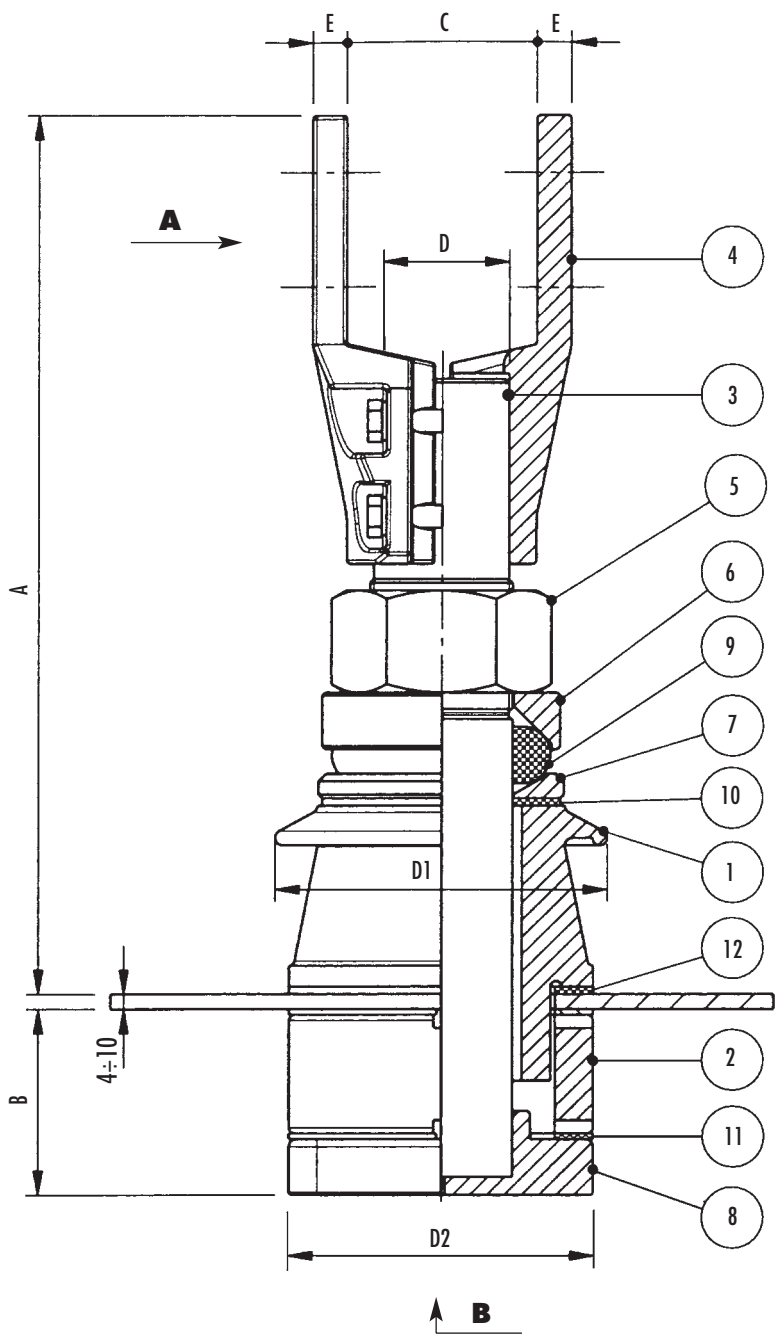
A VIEW



B VIEW



6500 A



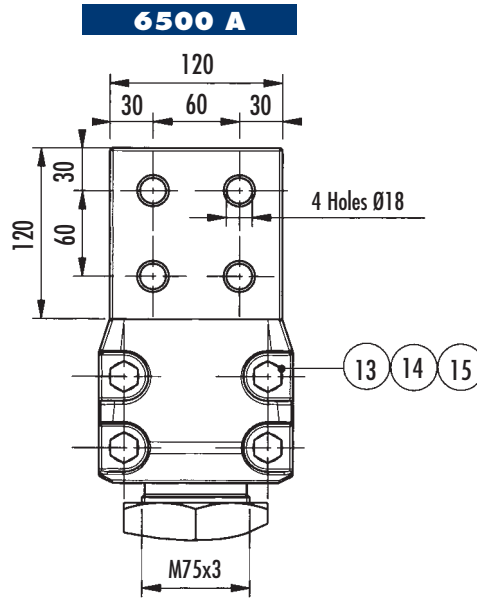
TYPE	A (Max)	B	C	D	D1	D2	E	Tank Hole	Weight
3 kV/6500 A	463	98.5	100	Ø 71	Ø 175	Ø 160	18	Ø 119	42 kg

6500 A

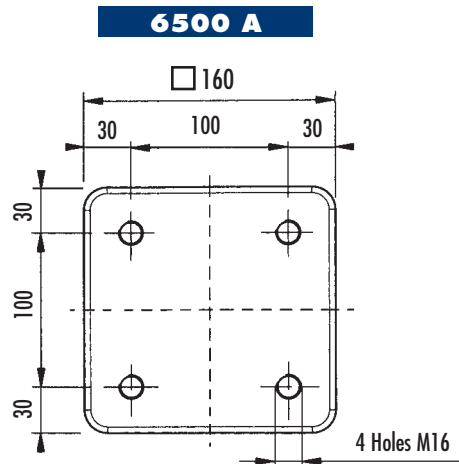
ITEM	DESCRIPTION	Q.TY
1	UPPER PORCELAIN	1
2	LOWER PORCELAIN	1
3	BOLT	1
4	SEMIFLAG	2
5	FULL NUT	1
6	UPPER WASHER	1
7	MIDDLE WASHER	1
8	LOWER WASHER	1
9	GASKET	1
10	GASKET	1
11	GASKET	2
12	GASKET	1
13	FULL NUT	4
14	WASHER DIN 125 A	4
15	SCREW DIN 933	4

IDENTIFICATION			VOLTAGE TIGHTNESS			CREEPAGE DISTANCE MIN. (mm)	ARCING DISTANCE MIN. (mm)	LEE PROTECTED LINE MIN. (mm)
COMEM DESIGN	RATED VOLTAGE (kV)	RATED CURRENT (A)	LIGHTING IMPULSE (kV)	POWER FREQUENCY (kV)				
				DRY	WET			
3/6500	3	6500	40	14	10	140	107	20

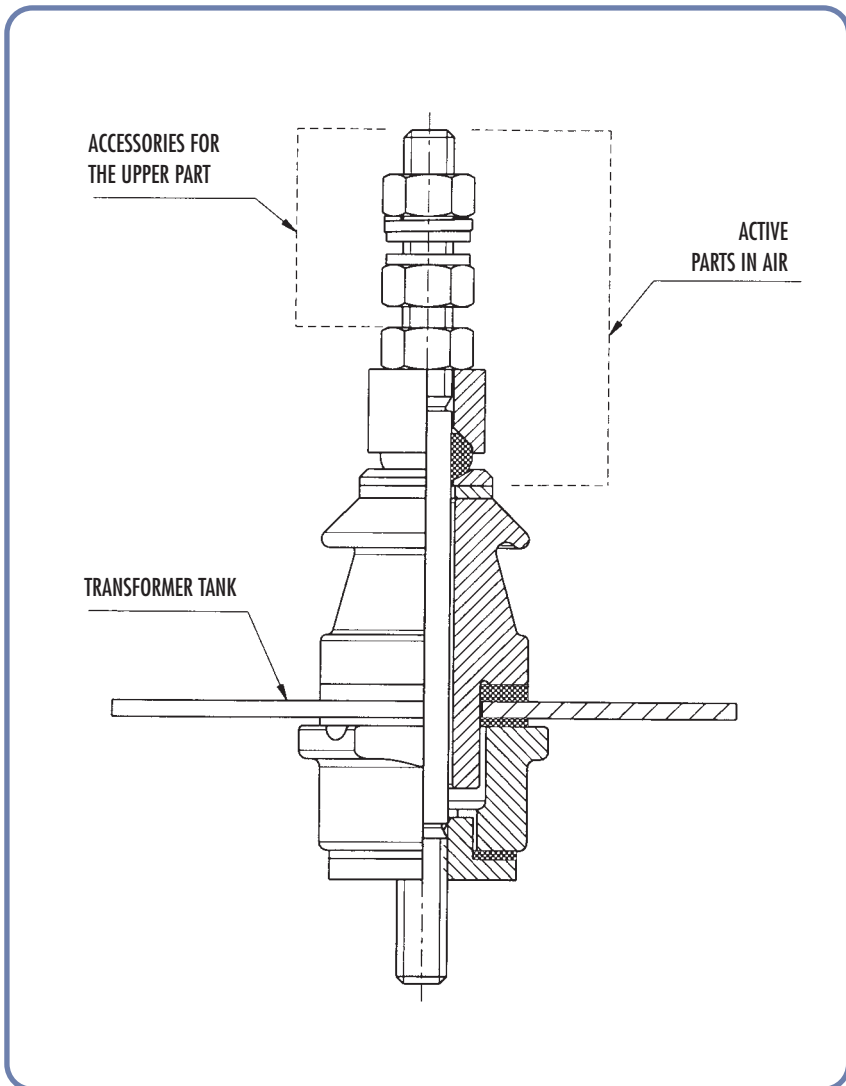
A VIEW



B VIEW



WARNING: Fill out the sheet only if it is different from the specific relevant standard



• **VOLTAGE (kV):**

• **CURRENT (A):**

• **RELEVANT STANDARD:**

DIN

CENELEC Catalogue page:

COMEM

Other:

• **ACTIVE PARTS IN AIR:**

Tinned 10 µm

Silver-plated 3 µm

Other:

• **FIXING COMPONENTS**

Stainless steel

Galvanized steel

• **GASKETS:**

NBR (-25 °C/+115 °C)

NBR (-40 °C/+115 °C)

VITON (-10 °C/+150 °C)

Special types:

• **STRUCTURAL DETAILS ACCORDING TO CUSTOMER SPECIFICATIONS:**

.....

• **ACCESSORIES FOR THE UPPER PART:**

Flag: Type: Customer drawing:

• **Insulators packaged in kits are furnished on request.**

• **NOTES:**

.....

