

**LEVEL GAUGES**  
**L 60 - L 80**  
**L 100**



**COMEM**<sup>®</sup>



Fig. 1

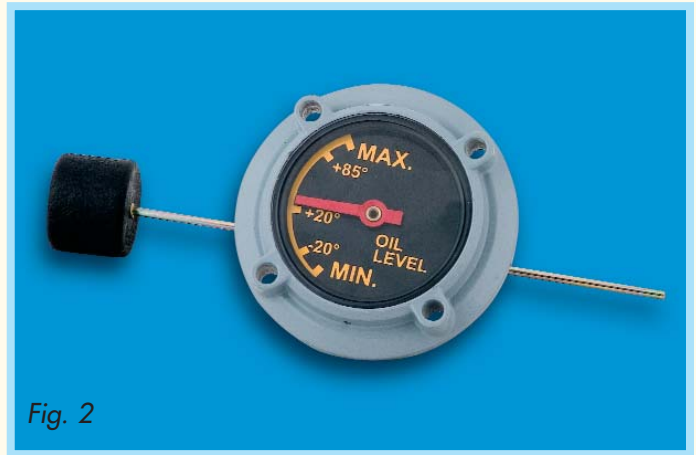
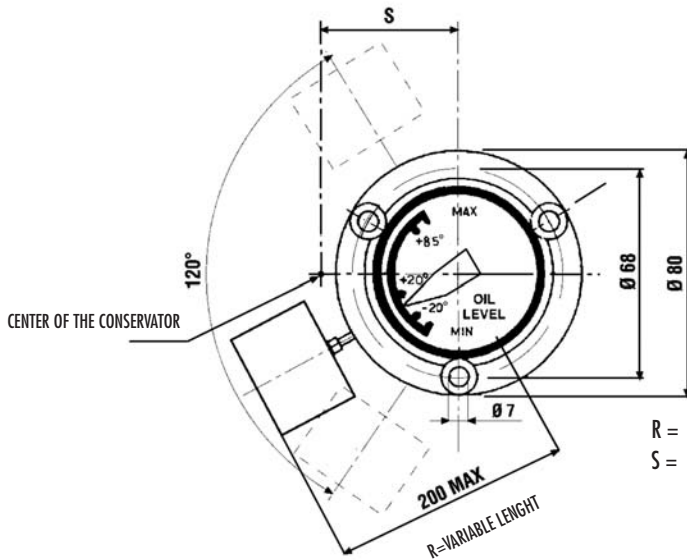


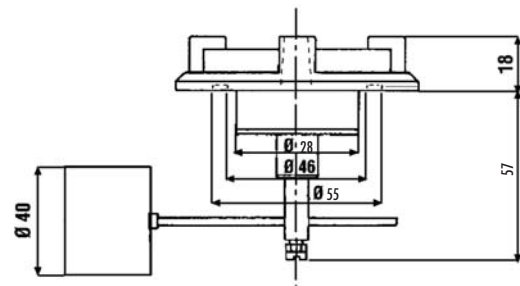
Fig. 2

**LEVEL GAUGES WITH MAGNETIC JOINT TYPE L 80**



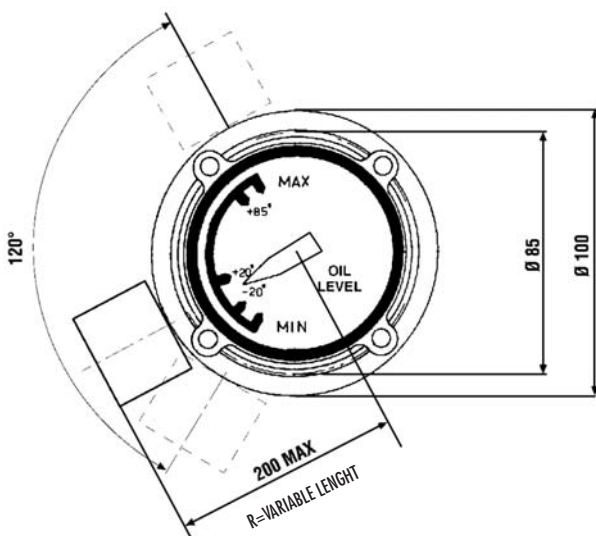
$$R = (DC/2 - 10) \times 1.15$$

$$S = (DC/2 - 40) \times 0.577$$



DC = DIAMETER OF THE CONSERVATOR

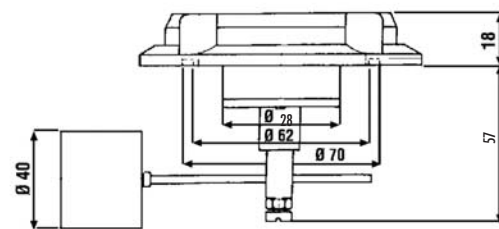
**LEVEL GAUGES WITH MAGNETIC JOINT TYPE L 100**



$$R = (DC/2 - 10) \times 1.15$$

$$S = (DC/2 - 40) \times 0.577$$

DC = DIAMETER OF THE CONSERVATOR



**LEVEL GAUGES WITH MAGNETIC JOINT TYPE L 80 - L 100**

These indicators are of very reliable construction, at the same time particularly simple, and cheap. The body is made of corrosion-proof aluminium alloy, free from porosities. The permanent magnet is contained by a support fixed on the backside of the indicator. It is free to rotate through an angle of 120°, directly feeding the arrow. The outer polycarbonate disk has some markings corresponding to the level reached by the oil at temperature of -20 °C, +20 °C, +85 °C. Positioning of markings may be changed on request. The float is made of expanded nylon and its motion is radial in respect of the conservator. The rod connecting the float to the permanent magnet pin is supplied in the length shown by our drawing. It can be shortened when assembling it according to indicated formula (size "S" and size "R").

**IDENTIFICATION SIGNS**

Level indicator Ø 80 mm = L 80 Fig. 1  
 Level indicator Ø 100 mm = L 100 Fig. 2

Ref. COMEM 1L08000020 x 60 PCS  
 Ref. COMEM 1L10000010 x 10 PCS

## L 60® VERTICAL LEVEL INDICATOR

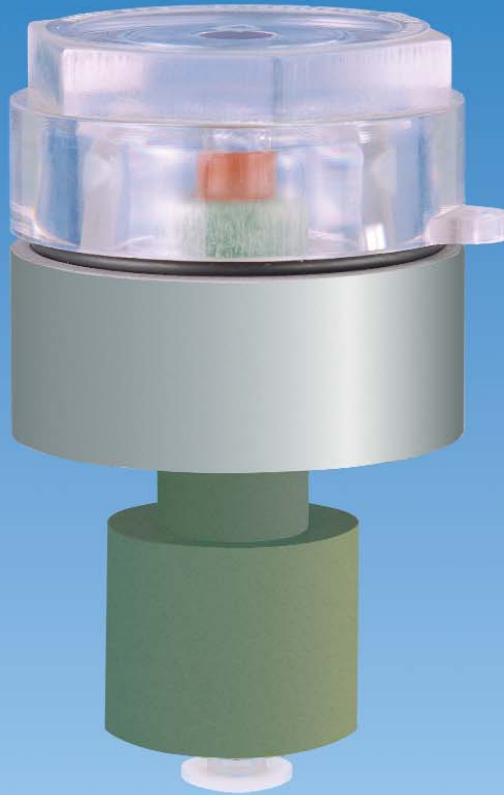
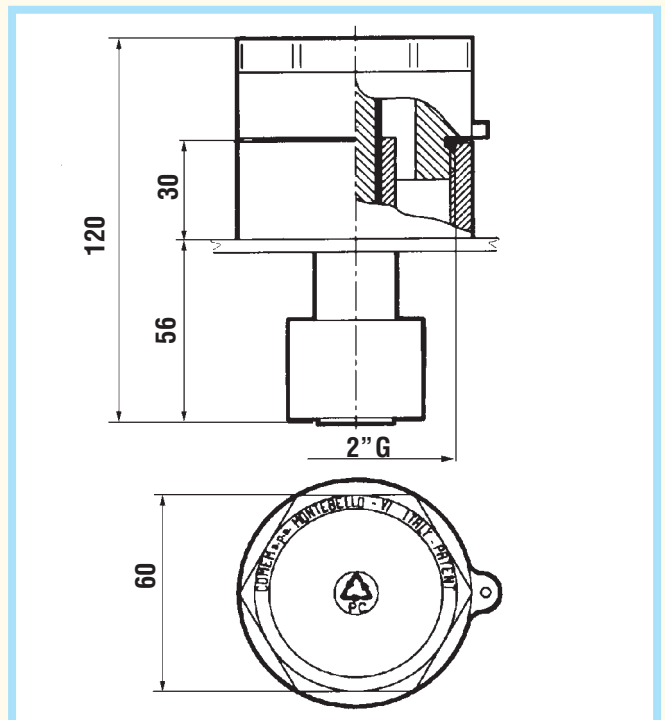
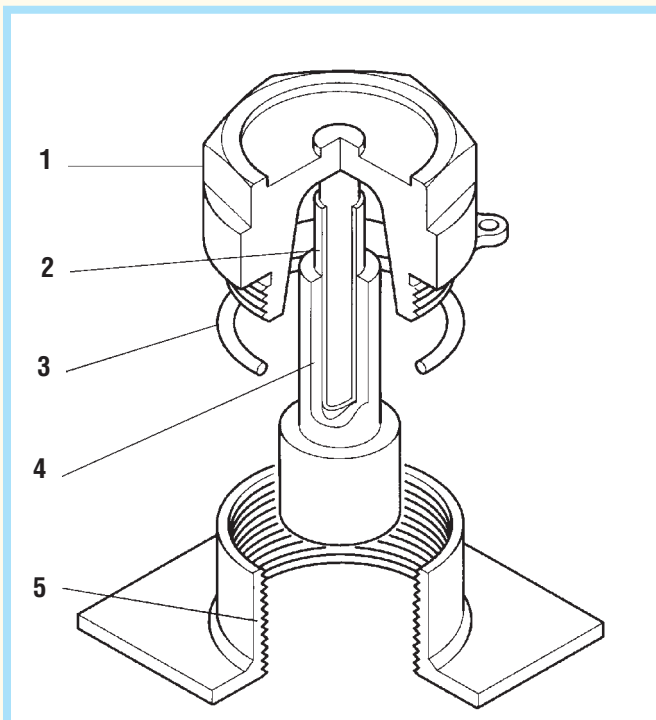


Fig. 3



## L 60® VERTICAL LEVEL INDICATOR

In sealed distribution transformers it is impossible to check the oil level during installation or operation. For this reason COMEM has studied and produced a new vertical level indicator called L 60® which is simple, reliable and economic. The L 60® consists of a molded body made of transparent plastic (1) through which a green floater (4) is visible, when the oil level is correct. The presence of a red indicator (2) signals a fault. The materials used for the construction of the L 60® are resistant to and compatible with the mineral oil or silicone fluid. They can withstand to max. operating temperature of 120 °C and exposure to sunlight.

The L 60® is supplied in boxes of 25 pieces complete with O-ring (3) fitting instructions and, on request, threaded ring nut (5) made of unpainted steel to be welded on the transformer cover.

Indicative screwing torque: 25 Nm.

L 60® vertical level indicator Fig. 3

Ref. COMEM LEVEL INDICATOR L 60® = code 1103

Ref. COMEM FEMALE 2" THREAD RING NUT = 5COL479100

NOTE

- For correct operation we recommend to use a 2" threaded ring furnished by COMEM (code 5COL479100) or that you at least use a ring according to COMEM drawing.
- We recommend inserting a 2" male threaded plug in the ring (part 5) before welding it to the cover in order to prevent deformation.
- The maximum diameter of the hole in the cover is 57. If diameter is smaller check, once level gauge L 60 is assembled, that float is free to operate without interfering with the tank hole.