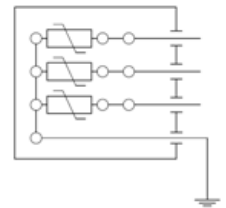


CIRCUIT DIAGRAM

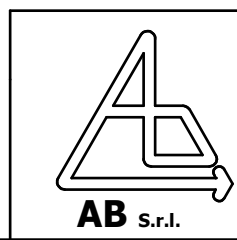


ITEM	DESCRIPTION	MATERIAL
1	Insulating plate	Glass fiber
2	Earthing link	Tinned Copper
3	Metallic spacer	Brass
4	Earthing cable end connector	Brass
5	SVL link	Tinned Copper
6	Surge arrester	Default
7	Cable gland	Nikel-plate Brass
8	End connector	Tinned copper

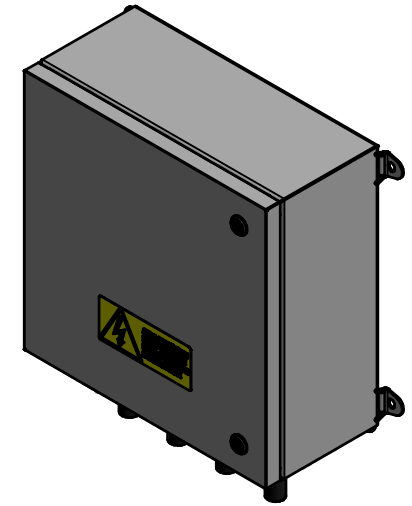
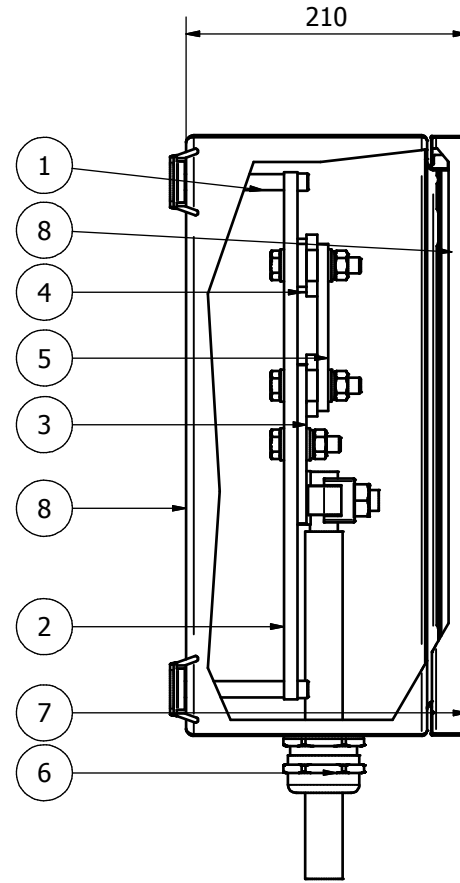
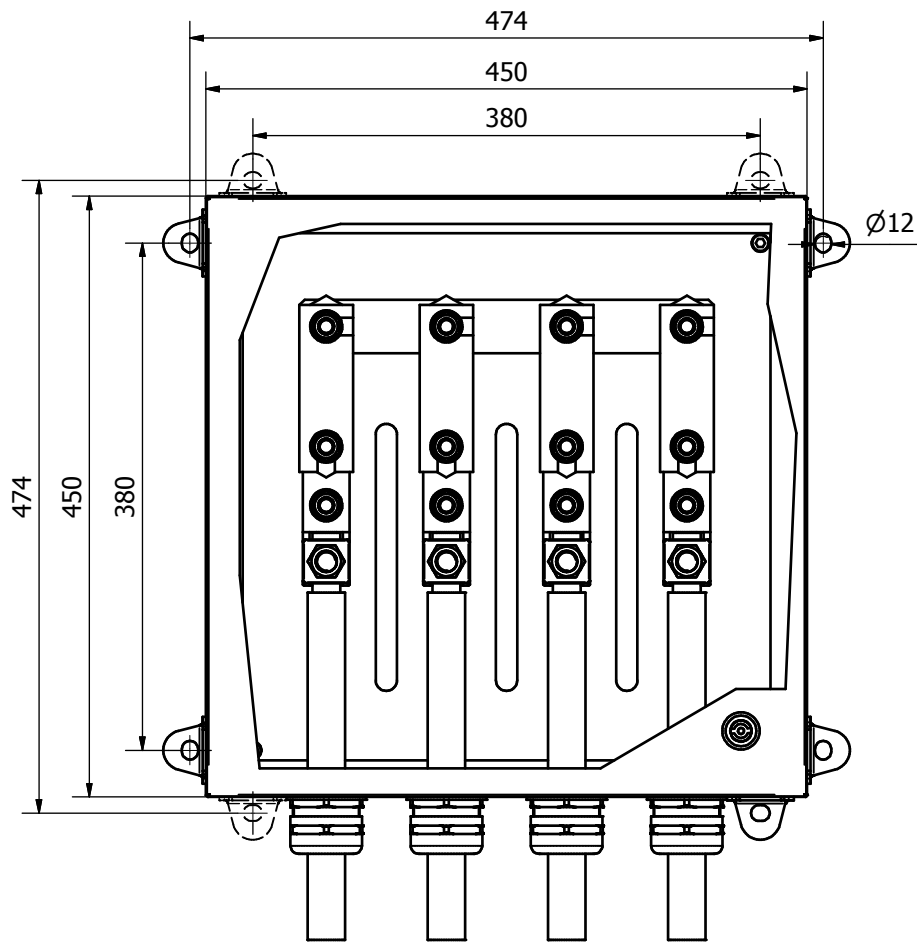
NOTE

- Dimension in mm
- Protection class IP66
- Approx weight 17 kg
- Suitable for outdoor installation

BOX TYPE	RATED VOLTAGE	CABLE SECTION
LB-71-X-A-05 95/240	5.0 kV	95-240 sqmm
LB-71-X-A-05 300/400	5.0 kV	300-400 sqmm
LB-71-X-A-06 95/240	6.0 kV	95-240 sqmm
LB-71-X-A-06 300/400	6.0 kV	300-400 sqmm

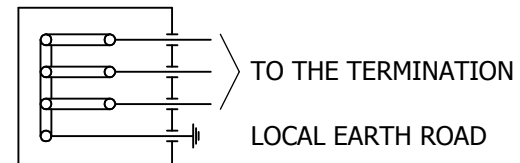


TITOLO:				
LB 71 X A				
DESCRIZIONE:				
Earthing bonding link box with SVL for three single core cable				
NUMERO DISEGNO:	REV.:	CREATO IL:	CREATO DA:	Foglio:
PRG-2010-11	00	01/02/2010	D.M.	1 / 1



ITEM	QTY	DESCRIPTION	MATERIAL
1	4	Metallic spacer	Brass
2	1	Insulating plate	Glass fiber
3	4	Earthing cable end connector	Brass
4	1	Plate	Copper
5	4	Movable connection	Tinned copper
6	4	Cable gland	Nikel-plate Brass
7	1	Cover	Stainless Steel (Wnr 1.4301)
8	1	Box	Stainless Steel (Wnr 1.4301)

CIRCUIT DIAGRAM



NOTE

- Dimensions in mm
- Protection class IP66
- Suitable for outdoor installation
- Approx weight 17 kg



TITOLO:				
LB 81 00 X A				
DESCRIZIONE:				
Single phase solid earthing box for three single core cable				
NUMERO DISEGNO:	REV.:	CREATO IL:	CREATO DA:	Foglio:
PRG-2010-02	01	10/03/2010	D.M.	1 / 1